



SERAVEZZA

— WEDDINGS —

Since its founding in 1824, The Franklin Institute has evolved into a prominent cultural asset for Philadelphia and is one of the most beloved science museums in the nation.

The centerpiece of the museum is the Benjamin Franklin National Memorial, with its dramatic sculpture of Franklin made from white Seravezza marble that overlooks the grand rotunda.

 THE  
FRANKLIN  
INSTITUTE

# OUR MISSION

In the spirit of inquiry and discovery embodied by Benjamin Franklin, the mission of The Franklin Institute is to inspire a passion for learning about science and technology.

Featuring striking architectural and design elements that reflect this mission, the Franklin Institute is recognized for being one of the most captivating event venues in all of Philadelphia.

From weddings and cocktail receptions, to meetings and seated dinners, an exceptional event experience awaits. The Franklin Institute provides an exclusive experience, through its collection of vibrant exhibits and expansive spaces, as well as a menu of flavorful bites and creative cocktails designed by Seravezza Events.

Curate a distinctly unique and memorable experience with Seravezza Events at The Franklin Institute. Philanthropy is essential to sustaining our mission, and bringing the Institute's mission to life would not be possible without our philanthropic partners. Generous donors and supporters to the Institute can receive a discount on rental spaces. [Please inquire for further details.](#)

**Click on the buttons below to navigate through event planning details**

- ▶ **CATERING**
- ▶ **OPTIONAL AMENITIES**
- ▶ **NEXT STEPS**



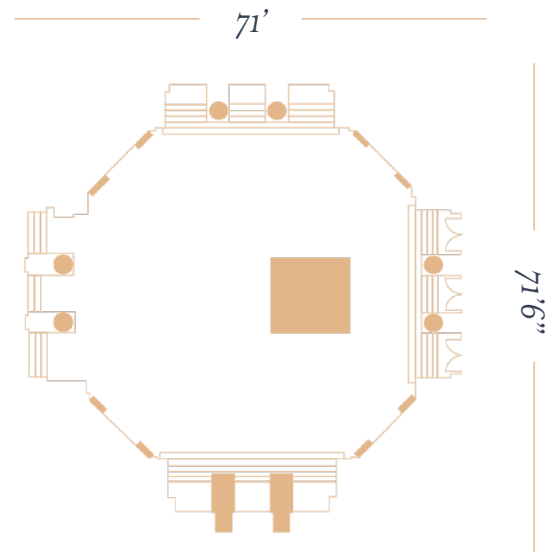
# BENJAMIN FRANKLIN MEMORIAL



Imagine your show-stopping event under the attentive eyes of Benjamin Franklin himself. As the centerpiece of the museum, the Benjamin Franklin National Memorial has been a popular location for distinctive events hosted by Fortune 500 companies, United States Presidents, foreign dignitaries and local businesses.

Dinner for your guests is under the iconic 82-foot-high domed ceiling and gold-gilded oculus of the Benjamin Franklin National Memorial. Inspired by the Roman Pantheon, the event space is dramatically framed by 16 marble columns and offers state-of-the-art audio visual capabilities. The new lighting and audio features can be customized to illuminate and enhance your event with clarity and elegance.

The Benjamin Franklin National Memorial can be paired with Jordan Lobby to enhance your event and seamlessly move your party from pre to post dinner festivities & provide additional event seating.



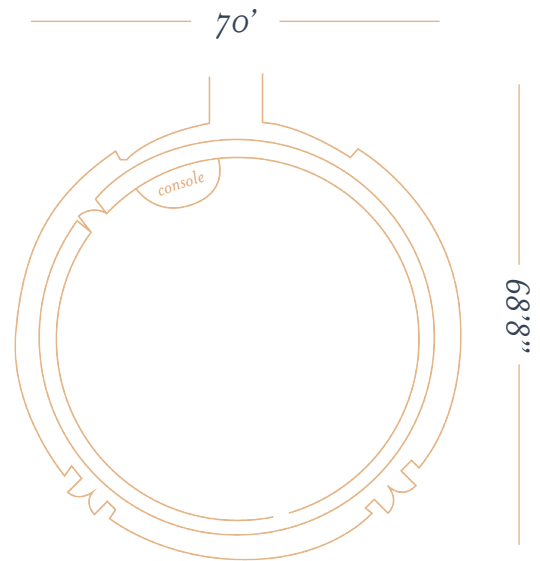
*Open Floor Plans*

<i>Capacity</i>	400	Cocktail/Reception
	300	Seated Dinner
	550	Theater Style
	5,184	Square Feet

# FELS PLANETARIUM



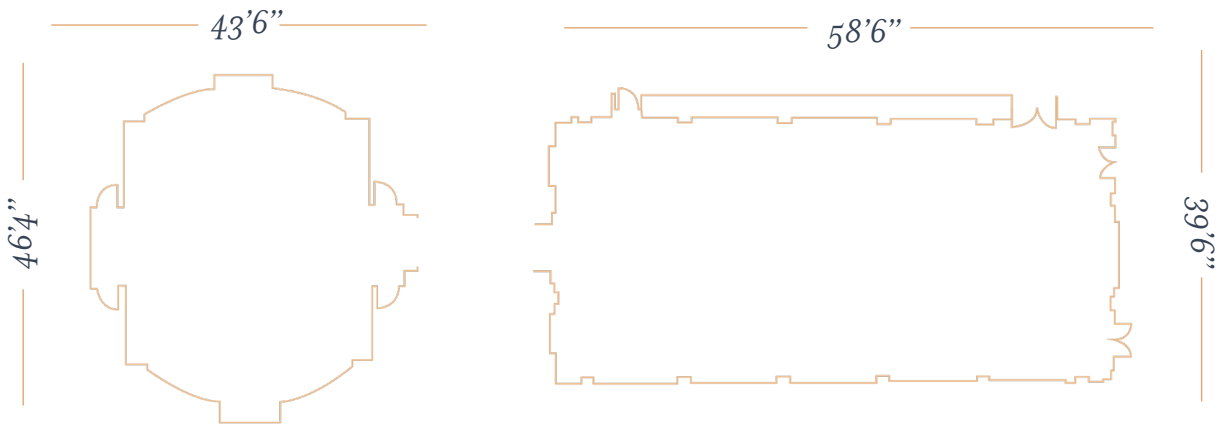
First opened in 1933, the Fels Planetarium is the nation's second-oldest planetarium! Add a cosmic touch to your event by entertaining your guests under the stars. Guests will be star-struck by the night sky and planetary images projected on the theater dome. This room is perfect for cocktail receptions and seated dinners.



*Open Floor Plans*

<i>Capacity</i>	200	Cocktail/Reception
	200	Seated Dinner
	250	Theater Style
	3,959	Square Feet

# PEPPER HALL AND PATENT LIBRARY



*Open Floor Plans*

For a cocktail reception or dining experience that is surrounded by historical significance, your guests will be captivated by Pepper Hall.

Pepper Hall is the original reading room for the first Patent Library in the United States and features an exquisite hand-stained ceiling, antique wooden floors, built-in mahogany bookshelves and views of the Benjamin Franklin Parkway. This is a space that can be customized to suit your every need and whose unsurpassed elegance will be sure to leave a lasting impression on your guests.

<i>Capacity</i>	350	Cocktail/Reception
	220	Seated Dinner
	400	Theater Style
	3,800	Square Feet

# COLLECTIONS GALLERY



Opening in the fall of 2024, the gallery will debut a collections-based experience surrounding the historic Baldwin 60000 steam locomotive on a cutaway floor overlooking the Institute's archival collections. The hundreds of objects in this visible storage gallery connect the storied past of The Franklin Institute to its dynamic present and exciting future.

*Capacity*

75 Cocktail/Reception  
3,639 Square Feet

# WONDROUS SPACE



Come along for the journey of a lifetime and let your curiosity run wild as we explore the vastness of Space. Unleash your desire to explore the unknown, and innovate ways to do so. As we've ventured into the farthest reaches of the galaxy, we've found intriguing phenomena. Beautiful. Weird. Mysterious. What else could we find? How far are we willing to go?

*Capacity*

150 Cocktail/Reception  
3,100 Square Feet

# WISDOM HALL AND YOUR BRAIN



Located adjacent to the majestic Franklin Hall, Wisdom Hall and Your Brain offer a distinctive and elegant backdrop for your evening reception. This magnificent space artfully melds the historical and contemporary components of the museum and invites your guests to uncover the mysteries of the unknown subconscious - your brain.

*Capacity*

## **YOUR BRAIN**

100 Cocktail/Reception  
3,500 Square Feet

## **WISDOM HALL**

150 Cocktail/Reception  
100 Seated Dinner  
3,500 Square Feet



# THE ELAINE LEVITT AND JOEL GERSHMAN EDUCATION AND CONFERENCE CENTER

Located in the Nicholas and Athena Karabots Pavilion



We call it a conference center but we are really a conference boutique in that we are prepared to customize your experience. Let us satisfy your every need by helping you design and execute the perfect event.

A private street-level entrance leads through our rain garden terrace directly into the business lounge and hospitality center, located in the Nicholas and Athena Karabots Pavilion.

Capacity

## **CONFERENCE CENTER**

- 200 Theater
- 96 Classroom
- 150 Seated Dinner

## **KARABOTS FOYER**

- 100 Cocktail/Reception

## **BREAKOUT ROOMS**

- 16 Hollow Square
- 20 Classroom
- 25 Theater

## **KARABOTS TERRACE**

- 100 Cocktail/Reception
- 100 Seated Dinner

# ROOFTOP DECK



The Rooftop Deck is the perfect location for your event with stunning views of the Benjamin Franklin Parkway and the city skyline. This setting is the ideal outdoor space for cocktail receptions, seated dinners and other events that aim to wow your guests.

## Capacity

120	Cocktail/Reception
100	Seated Dinner
150	Theater Style
2,115	Square Feet

# OPTIONAL AMENITIES

## PORTABLE LIGHTS

- Portable uplighting available to be placed throughout your space to coordinate the museum to your event.

*\$500.00*

## DIGITAL PORTABLE TV SCREENS

- Customize your event with screens hosting images and content of your choosing.

*\$250.00 per screen*

## DIGITAL SEATING CHART

- Display your seating chart on our gold frame digital sign with custom templates.

*\$500.00*

## COAT CHECK

- Our professional team will collect, protect and distribute your guests' items.

*Pricing available upon request*

## PARKING

- We can reserve pre-paid parking for your guests in our onsite parking garage.

*Pricing available upon request*

## FRONT OF BUILDING BANNERS

- For the complete touch, you can create customized banners to hang outside of our iconic stairs branded specifically for your event.

*Pricing available upon request*

## PHOTO BOOTH

- Add-on our Nostalgic photobooth where you can customize up to 3 personal background templates for your guests to choose from. They can print up to 3 photo strips per photo session.

*\$1000.00*

---

## LIGHTING PACKAGE IN FRANKLIN HALL

---

### TIER 1 - \$2,000.00

- Package includes stars across the dome, as well as an assortment of LED colors for the columns, dome and windows. Built in projection screens that can be used for PowerPoint presentations, inclusive of company logos, slideshows or monograms.

### TIER 2 - \$2,250.00

- Package includes across the dome, as well as an assortment of LED colors for the columns, dome and windows. Built in projection screens that can be used for PowerPoint presentations, inclusive of company logos, slideshows or monograms.
- Portable uplighting available to be placed throughout your space to coordinate the museum to your event.

### TIER 3 - \$2,500.00

- Package includes across the dome, as well as an assortment of LED colors for the columns, dome and windows. Built in projection screens that can be used for PowerPoint presentations, inclusive of company logos, slideshows or monograms.
- Portable uplighting available to be placed throughout your space to coordinate the museum to your event.
- Display your seating chart on our gold frame digital sign with custom templates.



S E R A V E Z Z A

## BRAND PROMISE

Our brand promise is to inspire guests to discover flavors, experience elegance and genuine hospitality. Your event will delight the palette, tantalize the taste buds and captivate the spirit of your guests.

Seravezza catering is made possible by the Franklin Institute's exclusive relationship with Levy. Founded in 1978, Levy is a pioneer of elite food concepts serving quality foods and providing unparalleled service in entertainment, sports, convention centers, cultural attractions, museums and much more.

Levy leverages unbridled creativity, custom strategies, impeccable service and a true love for great food to create unforgettable guest experiences.

We are committed to making our world more sustainable by honoring the environment and leaving it better for generations to come.





## NEXT STEPS

Site tours are available upon request. Once you see the spaces and speak with us, you will see how truly unique and memorable an event at The Franklin Institute will be. Please reach out to your TFI Sales Manager to schedule an appointment.

Please feel free to contact us with any questions or feedback. You can reach us via email at [events@fi.edu](mailto:events@fi.edu) or via phone at [215.448.1165](tel:215.448.1165)

We look forward to working with you to coordinate a unique and memorable event!

*B. Franklin*

